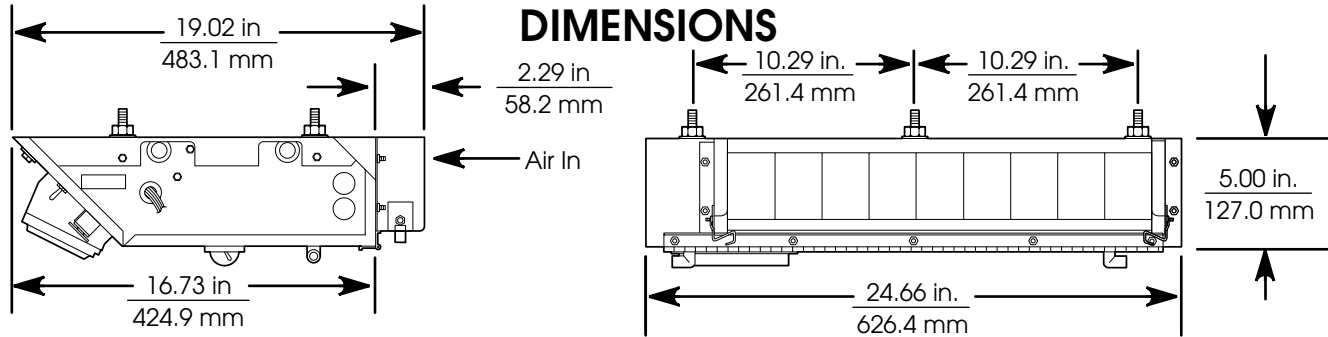




# Red Dot Air Conditioner With Heater Option R-9750 Series

## TECHNICAL SALES BULLETIN AND SERVICE PARTS LIST



## SPECIFICATIONS

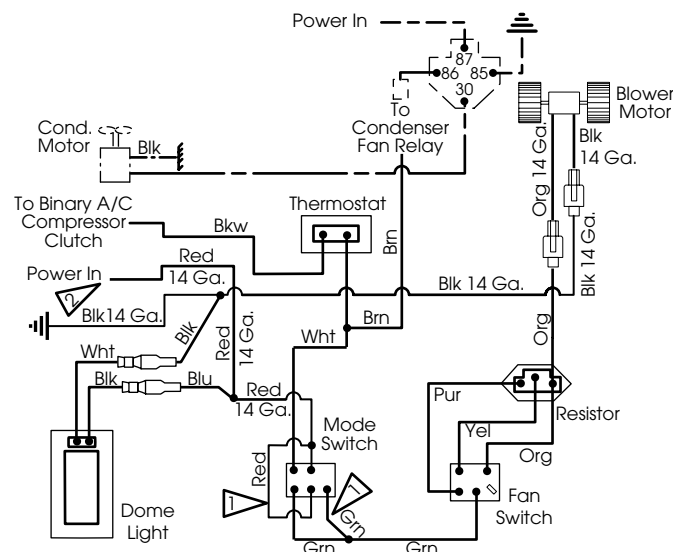
**BTU's Per Hour:** Cooling- 17,000 Btu/Hr (4.98 K.W./Hr.) @ 80°F. (26.7°C) Wet Bulb and 36°F. (2.20°C) Refrigerant Temp.  
 Heating- 25,600 BTU/Hr (7.50 K.W./Hr.) @ 100° F. (37.8°C)

**Air Flow:** 240 C.F.M. (6.80 M<sup>3</sup>/MIN)

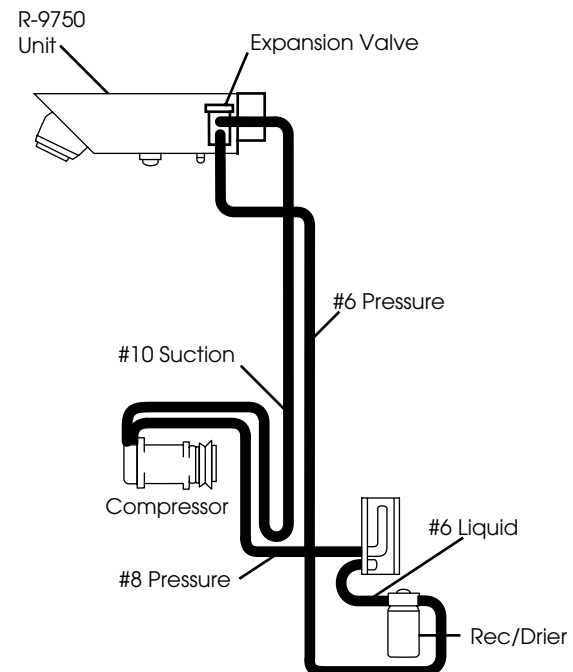
**Current Draw:** 13 Amps @ 13.6 Volts (Includes 4 Amps for A/C Clutch)  
 6.5 Amps @ 27.20 Volts (Includes 2 Amps for A/C Clutch)

## SCHEMATICS

### ELECTRICAL SCHEMATIC



### PLUMBING SCHEMATIC



- 1 Not Used A/C Only
- 2 Use 15 Amp Fuse or Breaker for 24V System (Cust. Supplied)  
 Use 30 Amp Fuse or Breaker for 12V System (Cust. Supplied)

Note: All Wires Are 16 Ga Unless Otherwise Specified  
 WARNING: Unit warranty void if fused power source not used.